

PRO-IS-150-S1, PRO-IS-150-D1

Single and Dual Isolators for the 150 MHz Band

DESCRIPTION

- Medium power single or dual isolators for 145 – 175 MHz.
- Used to isolate / protect of transmitters.
- High frequency stability on temperature and power.
- The standard 35 W dummy load can easily be interchanged to other values.
- Tunable within the frequency range.
- The isolators have black coating to prevent corrosion.

PRO-IS-150-S1, PRO-IS-150-D1



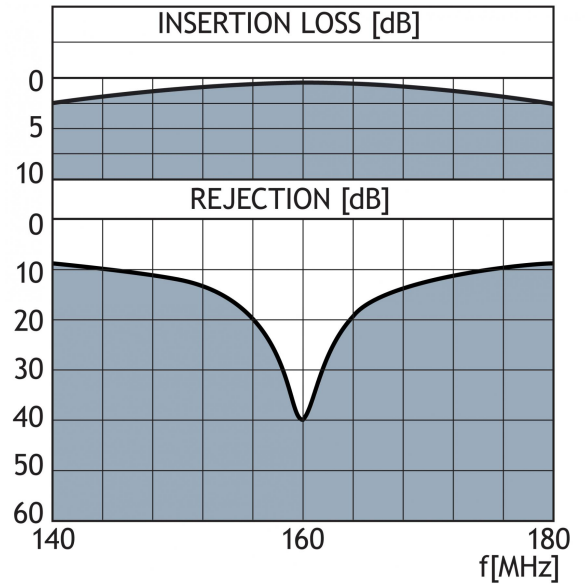
ORDERING DESIGNATIONS

| TYPE | PRODUCT NO. |
|---------------|-------------|
| PRO-IS-150-S1 | 210001155 |
| PRO-IS-150-D1 | 210001117 |

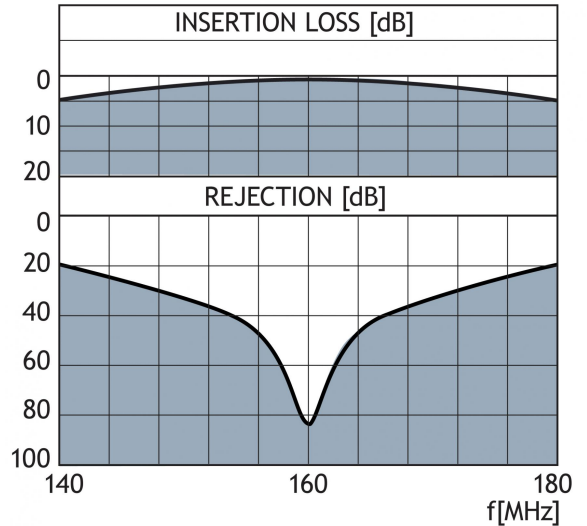
SPECIFICATIONS

| ELECTRICAL | | |
|------------------------|--------------------|--------------------|
| MODEL | PRO-IS-150-S1 | PRO-IS-150-D1 |
| FREQUENCY | 145 - 175 MHz | 145 - 175 MHz |
| MAX. INPUT POWER | 150 W | 150 W |
| INSERTION LOSS | < 0.5 dB | < 1.0 dB |
| ISOLATION | Typ. >40 dB @ 25°C | Typ. >80 dB @ 25°C |
| Temp. range 0 - 60° C | >20 dB | >40 dB |
| Temp. range -10 - 0° C | >17 dB | >35 dB |
| IMPEDANCE | Nom. 50 Ω | Nom. 50 Ω |
| SWR | ≤ 1.5 | ≤ 1.5 |
| MECHANICAL | | |
| CONNECTORS | N-female | N-female |
| DIMENSIONS (L x W x H) | 57 x 58 x 41 mm | 107 x 58 x 41 mm |
| WEIGHT | Approx. 400 g | Approx. 800 g |

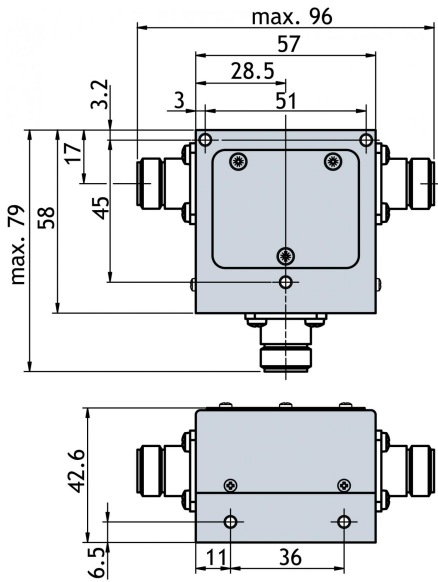
TYPICAL RESPONSE CURVES FOR PRO-IS-150-S1



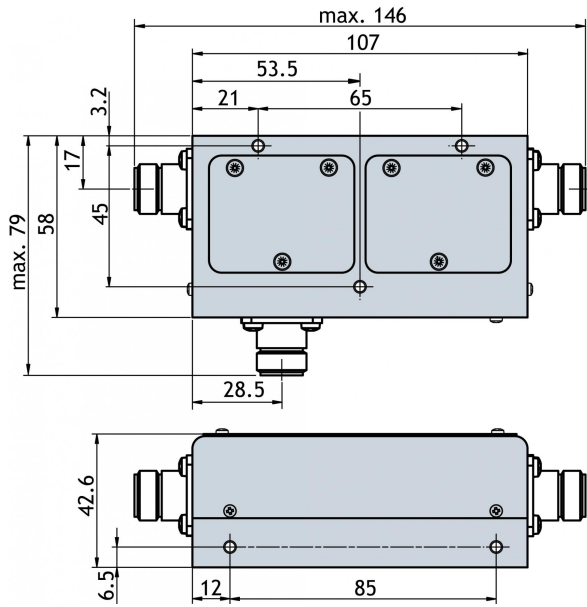
TYPICAL RESPONSE CURVES FOR PRO-IS-150-D1



MOUNTING DETAILS FOR PRO-IS-150-S1



MOUNTING DETAILS FOR PRO-IS-150-D1



PROCOM A/S reserve the right to amend specifications without prior notice.

19/07/12