

PCPO xH/TETRA/...

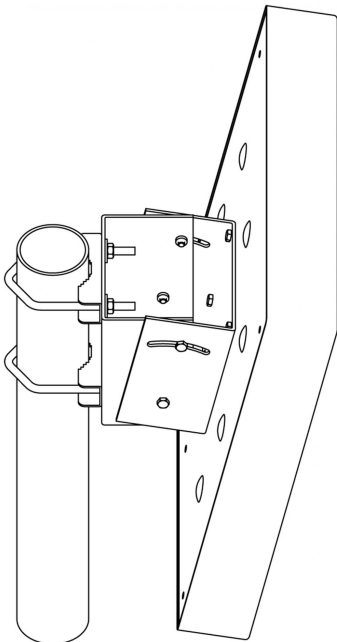
Outdoor Left or Right Hand Circularly Polarized Patch Antennas for mounting on Wall or Mast

DESCRIPTION

- Low-profile antenna for the 380 - 470 MHz band.
- PCPO xH/TETRA/... is a Left or Right Hand Circularly Polarized patch antenna for outdoor use.
- Circular polarization is chosen to avoid out-of-phase signals.
- Reduces flutter considerably.
- Covers approx. 50 MHz with a radiation of approx. 7 dBic.
- The antennas are carefully sealed with a discrete cover.
- The connector is placed at one side to enable mounting close to a wall.
- Including wall mounting bracket. Mast mounting bracket to be ordered separately.



Mast mounting bracket: PATCH-MAMO.



Tilt adjustable from +5°/-30°.

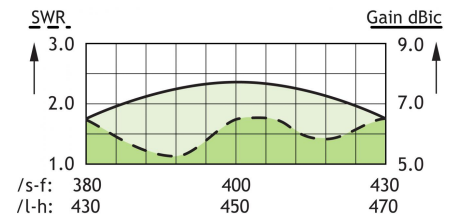
ORDERING DESIGNATIONS

TYPE	PRODUCT NO.	FREQUENCY
PCPO RH/TETRA/s-f	100000428	380 - 430 MHz
PCPO LH/TETRA/s-f	100000427	380 - 430 MHz
PCPO RH/TETRA/l-h	100000443	430 - 470 MHz
PCPO LH/TETRA/l-h	100000444	430 - 470 MHz
PATCH-MAMO	100000447	

SPECIFICATIONS

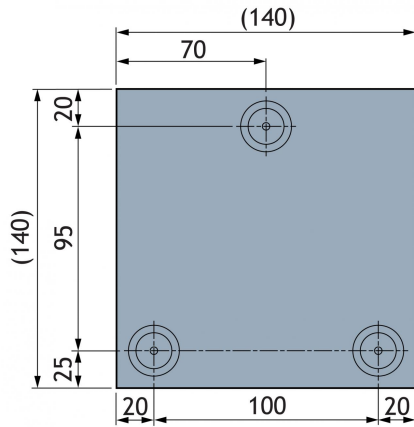
ELECTRICAL	
MODEL	PCPO xH/TETRA/...
ANTENNA TYPE	Left or right hand circularly polarized patch antenna
FREQUENCY	380 - 470 MHz covered by two models
IMPEDANCE	Nom. 50 Ω
POLARIZATION	Circular
GAIN	Approx. 7 dBic
BANDWIDTH	≥ 50 MHz @ SWR ≤ 2
HALF-POWER BEAMWIDTH	Approx. 80° (H- and E-plane)
SWR	≤ 1.2 f.res.
MAX. POWER	100 W
MECHANICAL	
CONNECTOR	N-female
WIND LOAD	173 N @ 160 km/h
COLOUR	Marine white
MATERIALS	Cover: ABS (white) Chassis: Aluminium
SIZE (L x W x H)	Approx. 340 x 340 x 60 mm
WEIGHT	Approx. 2.3 kg
MOUNTING	For mounting on wall ø5 mm (three holes) (see mounting details) or mast on 40 - 55 mm dia. mast tube.

TYPICAL GAIN AND SWR CURVES

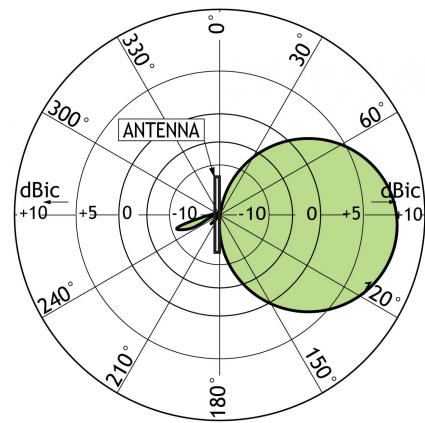


MOUNTING DETAILS (wall mounting)

(Dimensions excl. cover)

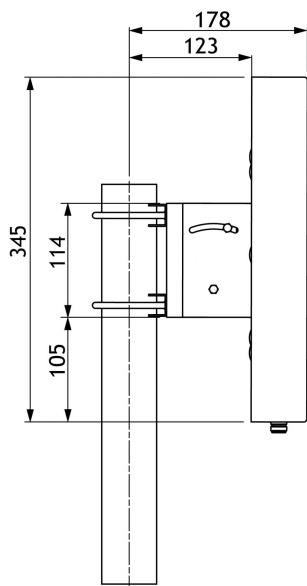


TYPICAL RADIATION PATTERN (E-PLANE)

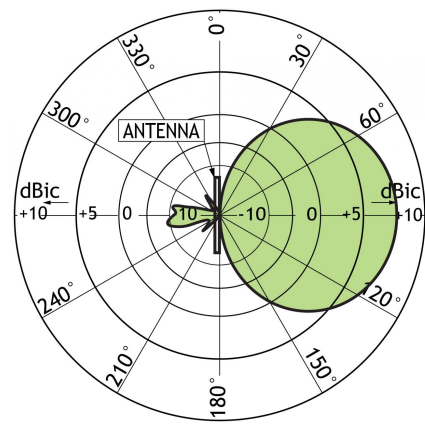


This curve shows the radiation patterns in the vertical plane.

MOUNTING DETAILS (Mast tube)



TYPICAL RADIATION PATTERN (H-PLANE)



This curve shows the radiation patterns in the horizontal plane (horizontal coverage).



PROCOM A/S reserve the right to amend specifications without prior notice.

03/01/14